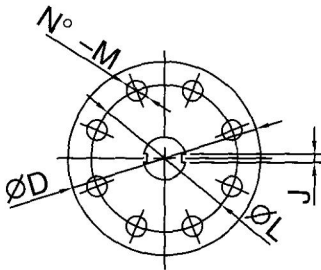
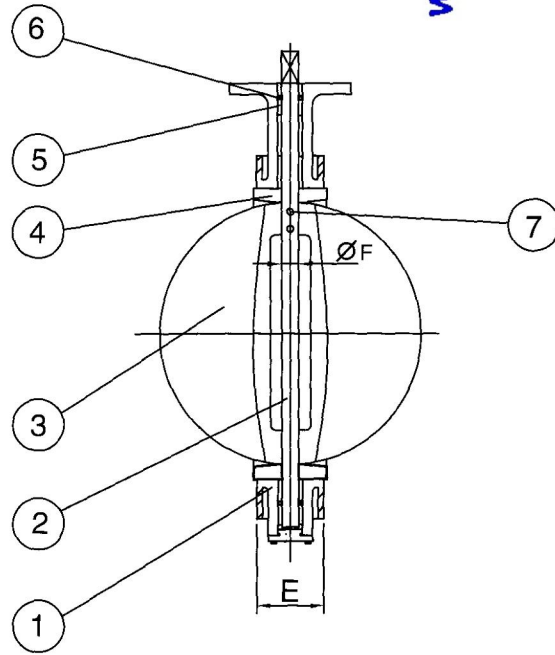
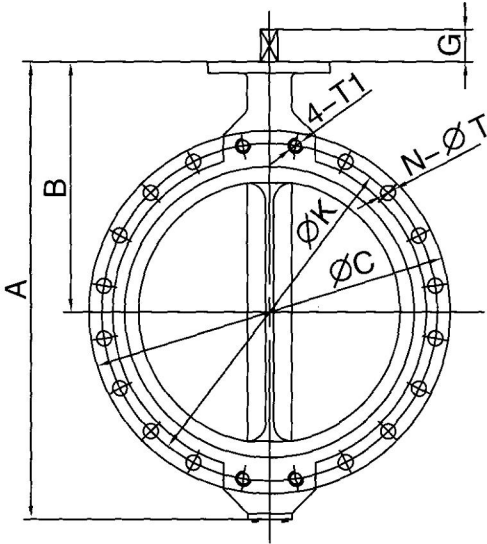


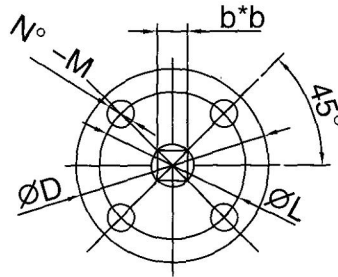
VANNE PAPILLON DOUBLE BRIDES (type U)

U Type Butterfly Valve(DN50–1200)

www.turbinealternateur.com
T & A



DN450-DN1200



DN50-DN400

Material List

NO.	PARTS NAME	MATERIAL
1	BODY	Cast iron/Ductile iron/Stainless steel/Carbon steel
2	UPPER SHAFT	SS416/Carbon steel/Tianium steel/SS316/Monel
3	DISC	Al-Bronze/Monel/CF8M/WCB/Ductile iron
4	SEAT	EPDM/PTFE/Buna/Hypalon/Viton/Neoprene
5	BUSHING	P.T.F.E./Lubricating
6	O-RING	EPDM/Buna/Hypalon/Viton/Neoprene
7	PIN	SS416/Carbon steel/Tianium steel/SS316/Monel

Dimensions en mm et poids (kg)

SIZE	A	B	C	D	E	F	G	K	L	N°-M	N-ØT	4-T1	b*b	J	Weight
2"	220	140	165	92	42	14.3	30	125	70	4X9	4-Ø18	---	11*11	---	6.5
2.5"	242	152	185	92	44.7	14.3	30	145	70	4X9	4-Ø18	---	11*11	---	7.5
3"	246	159	200	92	45.2	14.3	30	160	70	4X9	8-Ø18	---	11*11	---	8.4
4"	284	178	220	92	52.1	15.77	30	180	70	4X9	8-Ø18	---	11*11	---	10.5
5"	314	191	250	92	54.4	18.92	30	210	70	4X9	8-Ø22	---	14*14	---	14.2
6"	324	204	285	92	55.7	18.92	30	240	70	4X9	8-Ø23	---	14*14	---	16.4
8"	390	238	340	125	60.1	22.1	40	295	70	4X9	8-Ø23	---	17*17	---	25.2
10"	473	270	405	125	65.6	28.45	40	355	102	4X12	8-Ø27	4-M24	22*22	---	38.6
12"	557	315	460	140	76.5	31.6	40	410	102	4X12	8-Ø27	4-M24	22*22	---	50.3
14"	635	368	520	140	76	31.6	45	470	140	4X18	8-Ø27	4-M24	22*22	---	80.8
16"	709	400	580	197	86.2	33.15	45	525	140	4X18	12-Ø30	4-M27	27*27	---	116
18"	750	422	640	197	103.5	38	80	585	140	4X18	16-Ø30	4-M27	27*27	---	151.
20"	841	480	715	197	129.5	41.15	80	650	140	4X18	16-Ø33	4-M30	36*36	---	179.6
24"	1021	562	840	276	151	50.62	90	770	165	4X22	16-Ø36	4-M33	36*36	16	243.7
28"	1144	624	910	300	162	63.35	90	840	254	8X18	20-Ø36	4-M33	---	16	346
30"	1199	660	970	300	166	63.35	90	900	254	8X18	20-Ø36	4-M33	---	16	428
32"	1263	672	1025	300	187	63.35	110	950	254	8X18	20-Ø39	4-M36	---	16	515
36"	1376	720	1125	300	203	75	110	1050	254	8X18	24-Ø39	4-M36	---	20	858
40"	1521	800	1255	300	216	85	110	1170	254	8X18	24-Ø42	4-M39	---	20	919
44"	1741	925	1405	300	254	95	142	1314	254	8X18	24-Ø42	4-M39	---	20	1150
48"	1784.8	940.7	1485	350	276	105	154	1390	298	8X22	28-Ø48	4-M45	---	28	1588